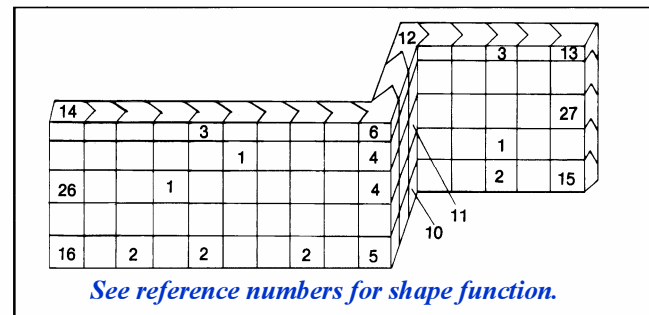
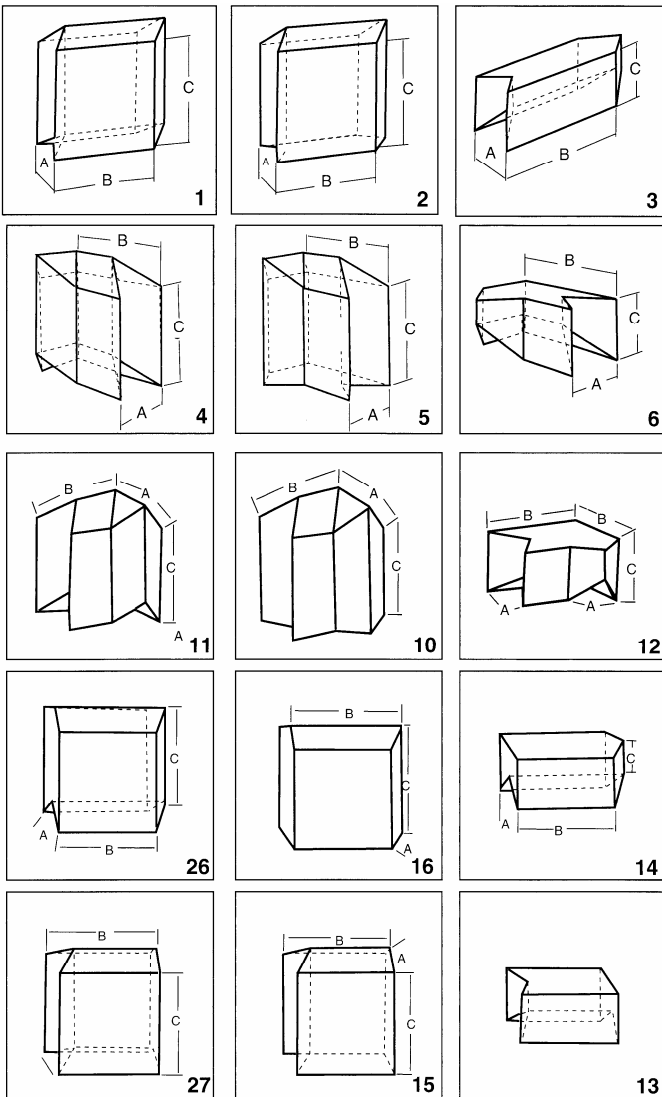


INTERLOCKING LEAD BRICKS

Interlocking design prevents leakage and assures stability

Interlocking Lead Bricks make it easy to erect, modify, and move protective walls and caves of any size. Their V-shaped edges eliminate the danger of leakage, common to straight-edged bricks. Interlocking Lead Bricks have a durable, painted finish and create sturdy walls for a safe, protective enclosure.



This wall demonstrates the dimensions and alternative positions of the standard brick wall. The walls should be built with the male chevrons directed upwards and to the right, as viewed from the outside of the cell.

Standard Bricks		A x B x C	
1	001-100 Brick, Standard, Wall Weight: 13.2 lb (6 kg)	2" x 4" x 4"	\$47.00
2	001-200 Brick, Standard, Base Weight: 14.9 lb (6.9 kg)	2" x 4" x 4"	53.00
3	001-300 Brick, Standard, Top Weight: 5 lb (2.3 kg)	2" x 4" x 2"	37.00

Corner Bricks		A x B x C	
4	001-400 Brick, Corner, Wall Weight: 13.2 lb (6 kg)	2" x 4" x 4"	\$47.00
5	001-500 Brick, Corner, Base Weight: 14.9 lb (6.9 kg)	2" x 4" x 4"	53.00
6	001-600 Brick, Corner, Top Weight: 5 lb (2.3 kg)	2" x 4" x 4"	41.00

Reverse Corner Bricks		A x B x C	
11	001-132 Brick, Reverse Corner, Wall Weight: 13.2 lb (6 kg)	2" x 4" x 4"	\$47.00
10	001-130 Brick, Reverse Corner, Base Weight: 14.9 lb (6.9 kg)	2" x 4" x 4"	53.00
12	001-135 Brick, Reverse Corner, Top Weight: 5 lb (2.3 kg)	2" x 4" x 2"	41.00

Left End Cap Bricks		A x B x C	
26	001-148 Brick, Left End Cap, Wall Weight: 14.9 lb (6.9 kg)	2" x 4" x 4"	\$47.00
16	001-147 Brick, Left End Cap, Base Weight: 13.2 lb (6 kg)	2" x 4" x 4"	53.00
14	001-142 Brick, Left End Cap, Top Weight: 5.2 lb (2.4 kg)	2" x 4" x 2"	37.00

Right End Cap Bricks		A x B x C	
27	001-149 Brick, Right End Cap, Wall Weight: 14.9 lb (6.9 kg)	2" x 4" x 4"	\$47.00
15	001-145 Brick, Right End Cap, Base Weight: 13.2 lb (6 kg)	2" x 4" x 4"	53.00
13	001-140 Brick, Right End Cap, Top Weight: 5.2 lb (2.4 kg)	2" x 4" x 2"	37.00

Prices subject to change without notice.

www.jgravengard.com 2007-12-04

J. Gravengard Corporation

Medical Imaging Sales & Service

PO Box 20171 Portland, Oregon 97294

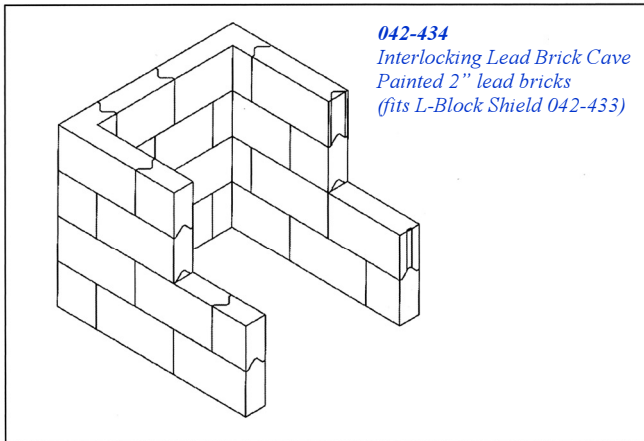
Nationwide (800)796-SCAN

Local (503)255-0535

Fax (503)255-7047

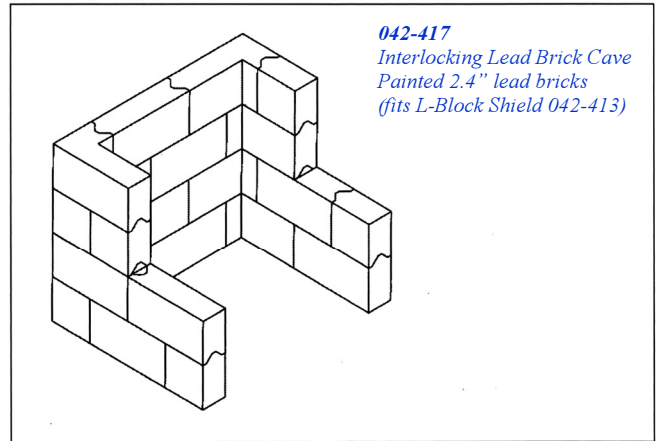
**INTERLOCKING
LEAD BRICK CAVES**

Design your own enclosure or select from these popular 3-walled caves:



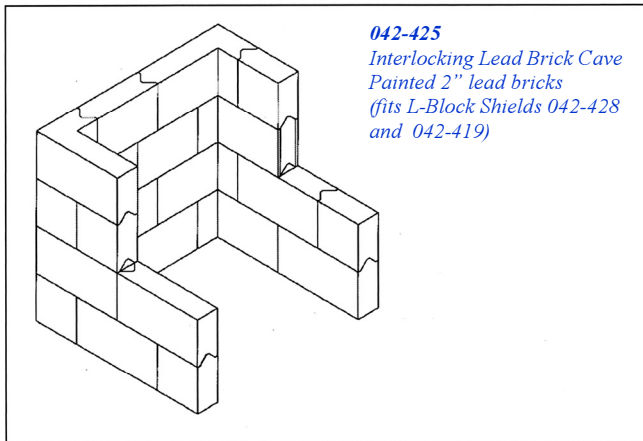
042-434
*Interlocking Lead Brick Cave
Painted 2" lead bricks
(fits L-Block Shield 042-433)*

042-434 Lead Brick Cave, 3-wall, 2" lead \$3295.00
*I.D. 14" w x 16.32" depth x 13.82" h
(35 x 40.8 x 35.6 cm)
Weight: 597 lb (271 kg)*



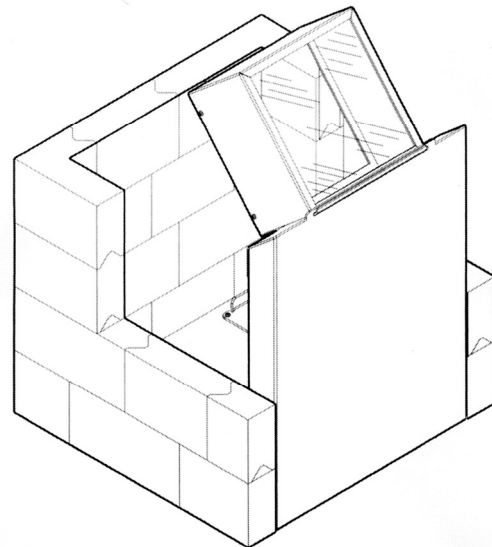
042-417
*Interlocking Lead Brick Cave
Painted 2.4" lead bricks
(fits L-Block Shield 042-413)*

042-417 Lead Brick Cave, 3-wall, 2.4" lead . \$3495.00
*I.D. 15.25" w x 12.34" depth x 13.73" h
(38.13 x 30.85 x 34.33 cm)
Weight: 611 lb (278 kg)*



042-425
*Interlocking Lead Brick Cave
Painted 2" lead bricks
(fits L-Block Shields 042-428
and 042-419)*

042-425 Lead Brick Cave, 3-wall, 2" lead \$2695.00
*I.D. 14" w x 12.82" depth x 13.82" h
(35 x 32.05 x 34.55 cm)
Weight: 500 lb (227 kg)*



042-425 Lead Brick Cave shown with 042-428 L-Block Shield.

Prices subject to change without notice.

www.jgravengaard.com 2007-12-04

J. Gravengaard Corporation

Medical Imaging Sales & Service

PO Box 20171 Portland, Oregon 97294 Nationwide (800)796-SCAN Local (503)255-0535 Fax (503)255-7047